



**GAYLEE**  
A MARTINDALE COMPANY



Ask for



**GAYLEE**  
Premium Quality  
Solid Carbide Saws

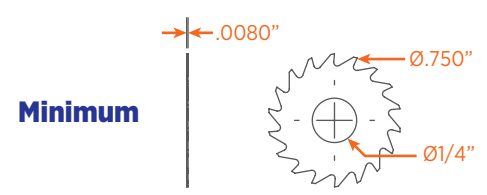
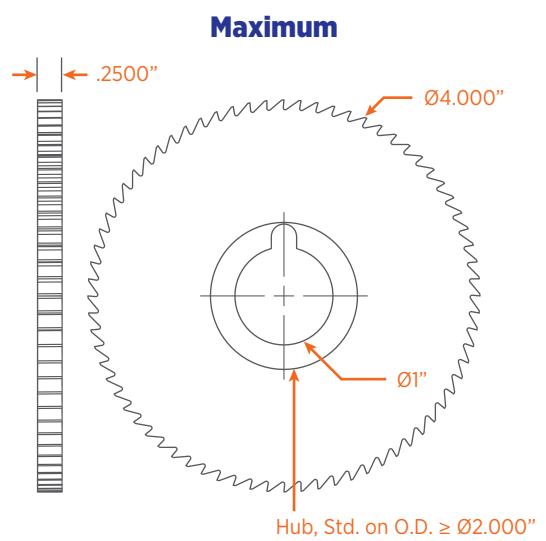
**Unsurpassed accuracy and tolerances provide consistent, dependable performance**

**Overall specifications for 24-HOUR SHIPMENT**

	SIZE RANGE	TOLERANCE
<b>Outside Diameter</b>	.750" - 4.000"	+ .005" / - .000"
<b>Thickness</b>	.0080" - .2500"	+ .0005" / - .0000"
<b>Arbor Hole Sizes</b>	1/4", 5/16", 3/8", 1/2", 5/8", 1"	+ .0005" / - .0000"
<b>Hub</b>	Standard on O.D. ≥ Ø2.000", size based on I.D.	

- Order quantity up to 6 pieces in 24 hours
- Gaylee standard OD, ID, # of teeth combinations need to apply
- Standard square tooth configurations
- Martindale/Gaylee tool designers will be pleased to assist with your specific needs

Please ask your distributor to place order before 3:00 p.m. EST for shipment the next day.



**216.521.8567**  
[www.gayleesaws.com](http://www.gayleesaws.com)